



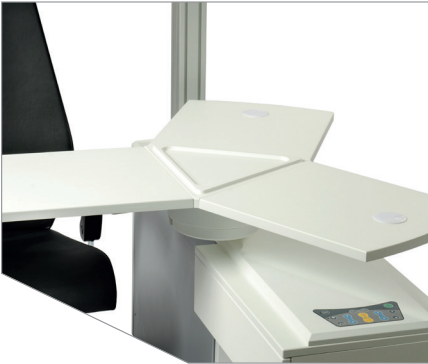
OST 350

OPHTHALMIC REFRACTION UNIT
FOR ADVANCED PRACTICE



OST 350 WITH ADVANCED PACK*

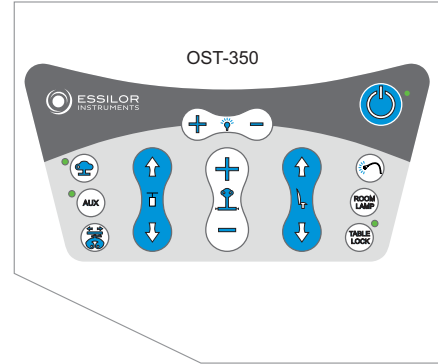
3 instruments tabletop



Wheel chair Access



Room light condition control at table side



OST 350 CONFIGURATION:

- Motorised chair (elevation path 18cm)
- Rotation & Sliding table top 355°
- Electro magnetic breaks
- Lift-up elbow rests /Footrests
- Right or left handed version
- Dual voltage (110V / 220V)

*ADVANCED PACK includes:

- 3 instruments tabletop
- Wheel chair access
- Room light condition control

OPTIONS:

- Near vision lamp
- Chart projector holder
- Stand for keyboard
- Storage drawer (60x350x70mm)

Side unit body covers:

- Red (RAL 3001)
- Blue (RAL 5005)
- White (RAL 9016)

SPECIFICATIONS

Chair maximum load:

150 kg

Sliding tabletop:

Dimensions: 42 x 82 cm
Max. weight: 40 kg

Versions:

Right or left handed version

Power supply:

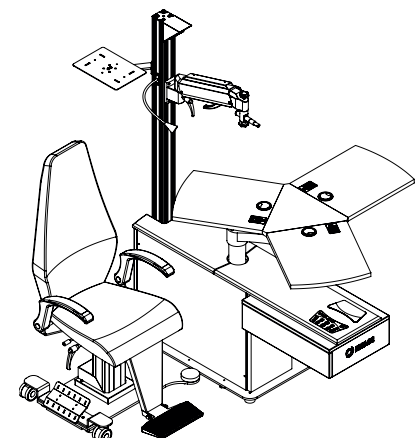
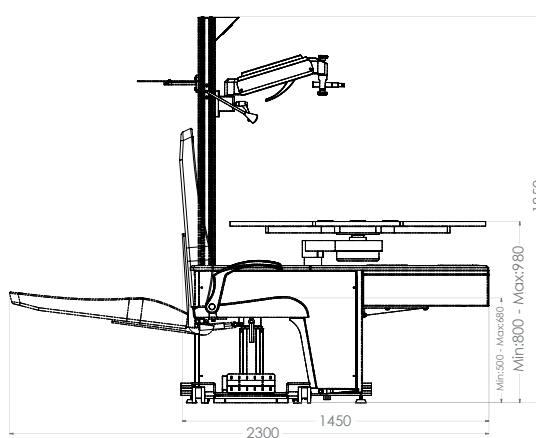
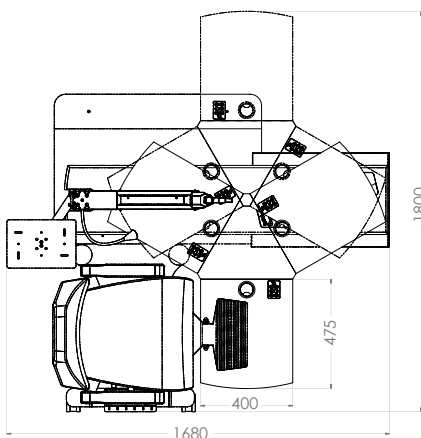
110/230 V- 50/60 Hz

Dimensions:

1.68 (L) x 1.80 (P) x 1.90 (H)m

Weight:

240 kg



ESSILOR INSTRUMENTS

81 boulevard Jean-Baptiste Oudry
94000 Créteil
France
Tél. 33(0)1 49 80 62 80
www.essilor-instruments.com

